

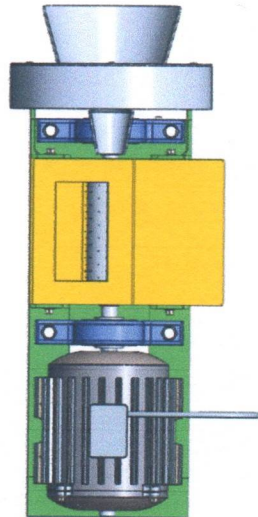
DESAIN PROTOTIPE

Judul:

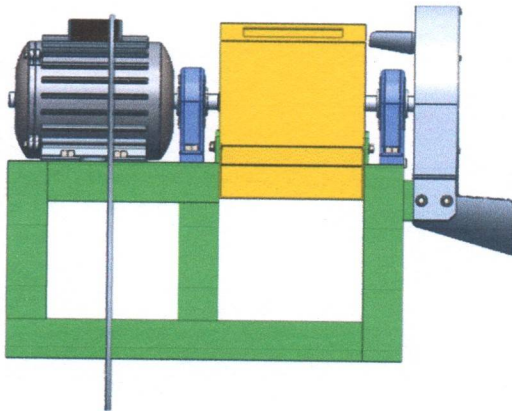
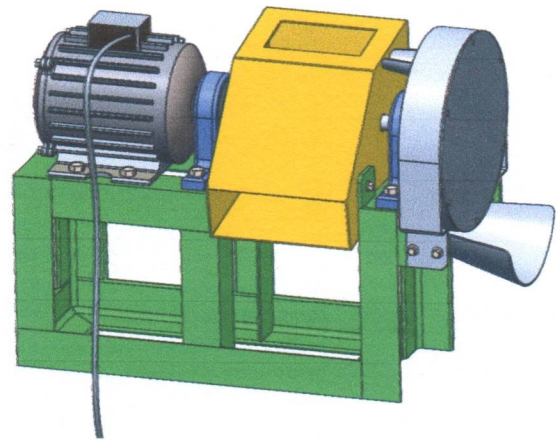
Desain Mesin Slice and Crunch 2 in 1

1. Gambar 3 Dimensi

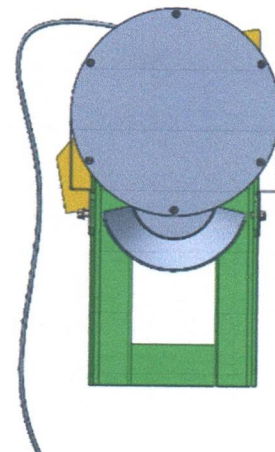
Pandangan Atas



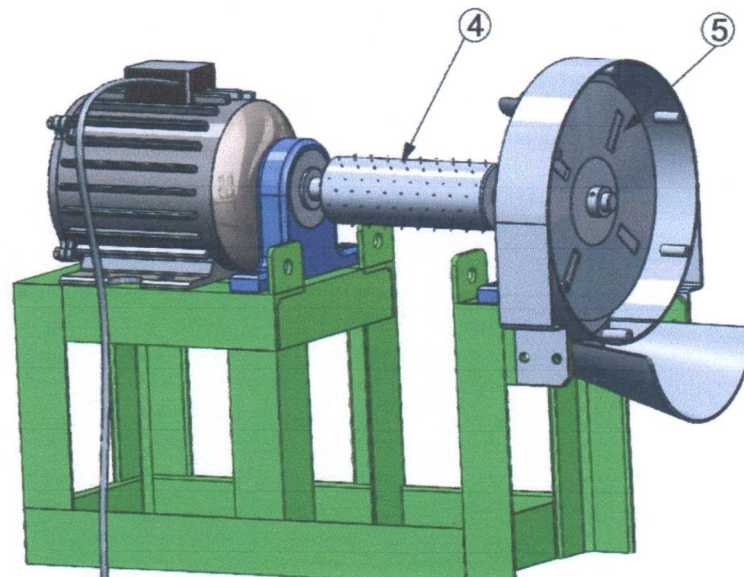
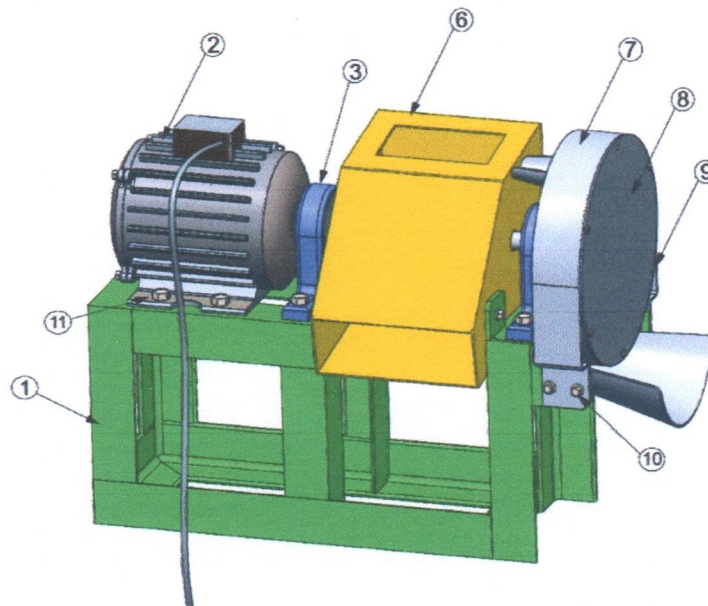
Isometris



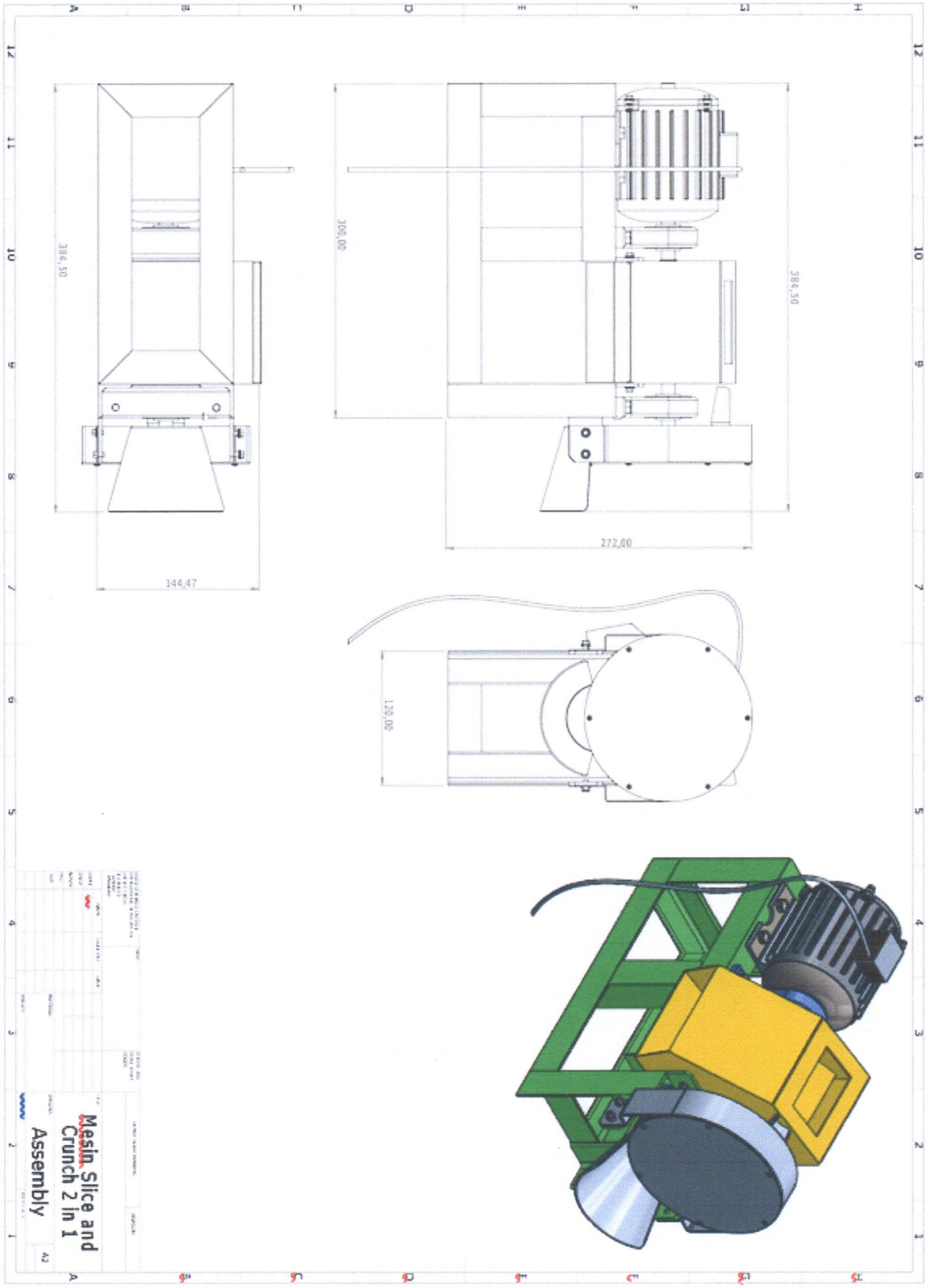
Pandangan Depan



Pandangan Samping



No	Part	Description	Qty
1	Rangka	Baja plat Siku 30x30x3 mm	1
2	Motor Listrik	Single Phase 200 W	1
3	Bearing	Ball Bearing	2
4	Pisau Cruncher	Stainless Steel	1
5	Pisau Slicer	Stainless Steel	4
6	Cover Cruncher	Stainless Steel	1
7	Cover Slicer	Stainless Steel	1
8	Penutup Cover Slicer	Stainless Steel	1
9	Bolt M 2,5 x 0,45 x 4	-	6
10	Bolt M 4 x 0,7 x 5	-	8
11	Bolt M 6 x 1,0 x 8	-	10



GENERAL INFORMATION		DRAWING INFORMATION		REVISIONS		SCALE	
NAME	NOV	DATE	11/2017	NO.	01	SCALE	1:1
DESIGNER		CHECKED		DATE			
DRAWN		APPROVED					
DATE							

Mesin Slice and Crunch 2 In 1 Assembly